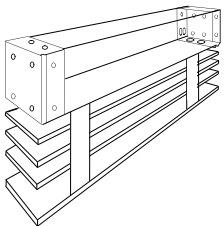


**Classic & Colonial Venetian System information**

<b>Size restrictions</b> * (see price table for drop and width combinations)		<b>25mm</b>	<b>50mm</b>
	Minimum Width Std Controls	305mm*	305mm*
	Maximum Width Single control	500mm*	500mm*
	Maximum Width	2400mm*	2400mm*
	Minimum Height	500mm	500mm
	Maximum Height	3000mm*	3000mm*

<b>Control Side</b>	Dual std (cords) Pull R/H Tilt L/H
---------------------	---------------------------------------

<b>Size availability</b>	25mm & 50mm
--------------------------	-------------

<b>Stacking Depth</b>  <p>Cord std 50mm from bottom</p>	<b>approx stacking depth</b>		
	<b>Drop of blind</b>	<b>25mm</b>	<b>50mm</b>
	600mm	155mm	120mm
	900mm	210mm	145mm
	1200mm	260mm	170mm
	1500mm	315mm	195mm
	1800mm	365mm	220mm
	2100mm	420mm	245mm
2400mm	470mm	270mm	
2700mm	525mm	295mm	

<b>Fixing</b>	
Top Fix	✓
Side Fix	✓
Face Fix	✓
Hold Down Clips	✓

<b>Deductions for inside recess</b>	Width 10mm nothing from drop
-------------------------------------	---------------------------------

**25mm headrail**

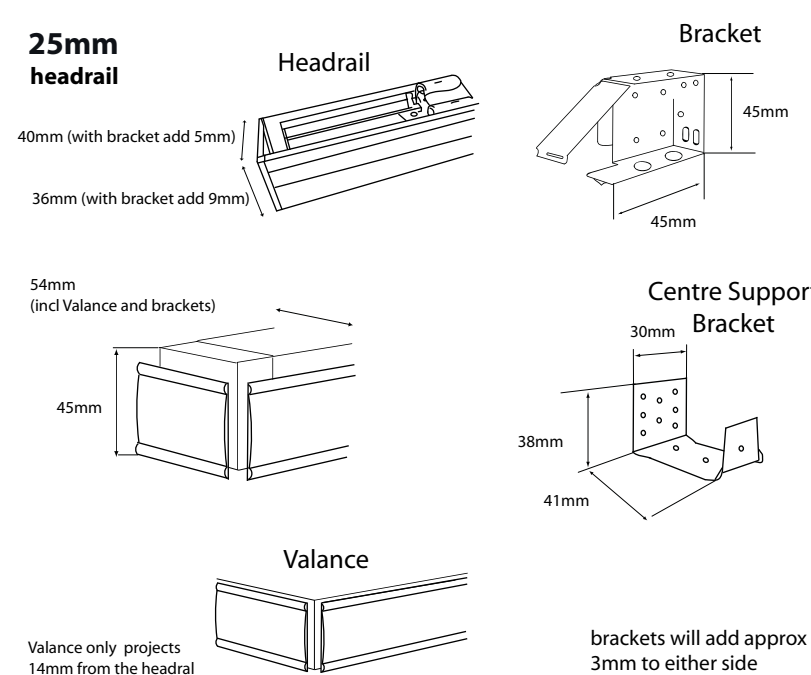
Headrail  
40mm (with bracket add 5mm)  
36mm (with bracket add 9mm)

Bracket  
45mm

Centre Support Bracket  
30mm  
38mm  
41mm

Valance  
Valance only projects 14mm from the headrail

brackets will add approx 3mm to either side



**50mm headrail**

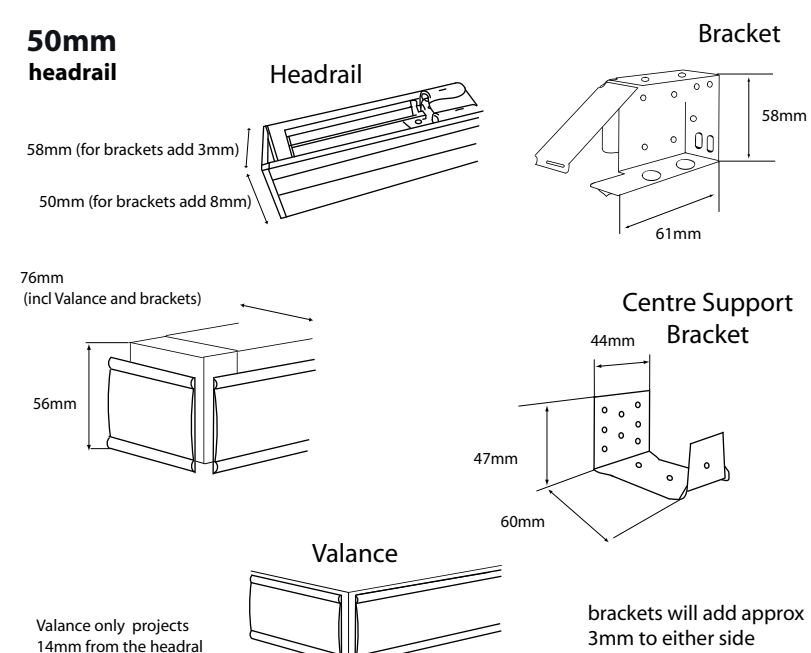
Headrail  
58mm (for brackets add 3mm)  
50mm (for brackets add 8mm)

Bracket  
58mm  
61mm

Centre Support Bracket  
44mm  
47mm  
60mm

Valance  
Valance only projects 14mm from the headrail

brackets will add approx 3mm to either side



**Additional Information**  
Plastic end pieces for transport