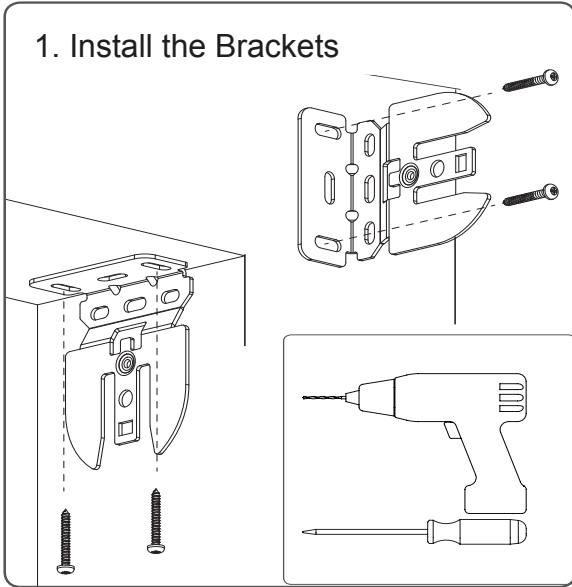
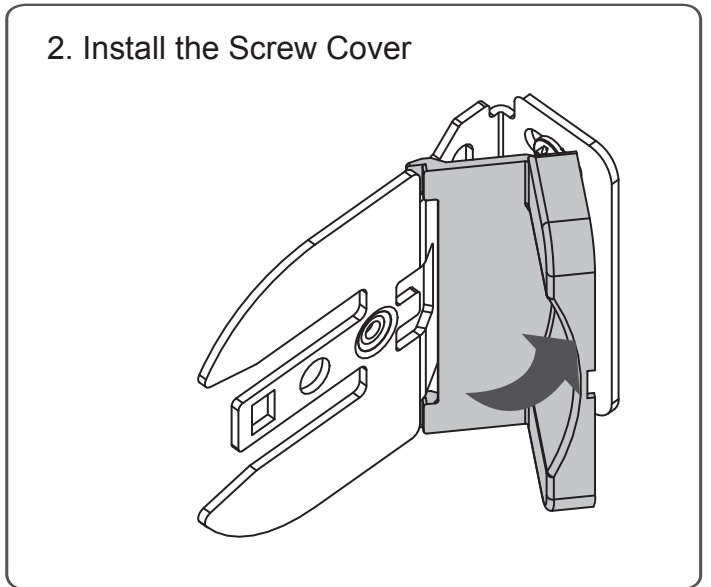


## CHAIN OPERATED ROLLER BLIND FITTING INSTRUCTIONS

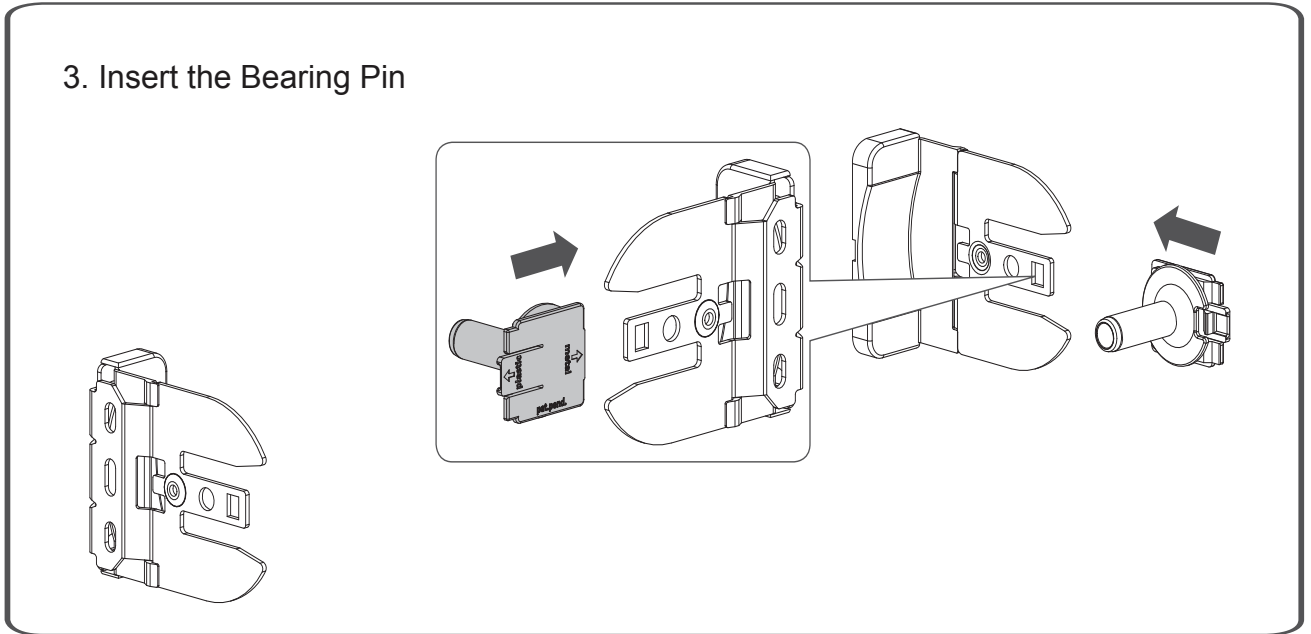
### 1. Install the Brackets



### 2. Install the Screw Cover



### 3. Insert the Bearing Pin



### 4. Insert the Blind into the Brackets

