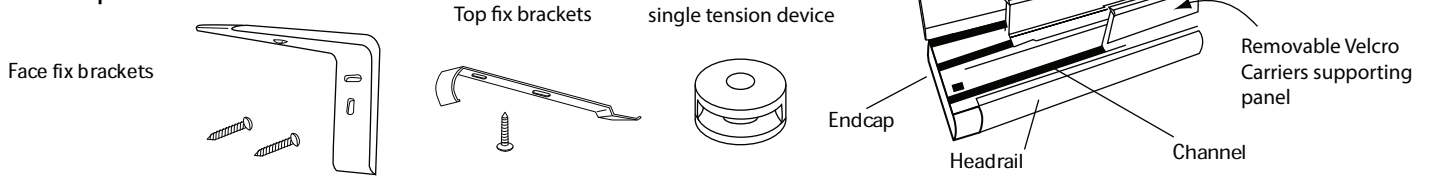


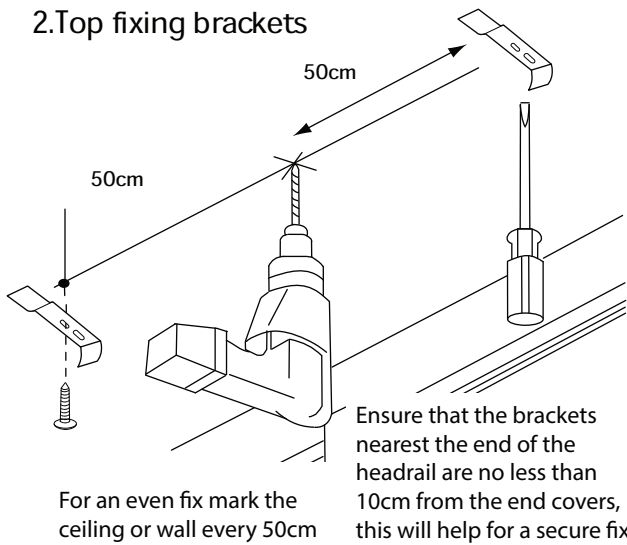
KYOTO SLIDING PANEL FITTING INSTRUCTIONS

Your Kyoto will be supplied with the appropriate brackets and screws.

1. Components

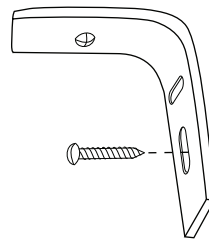


2. Top fixing brackets

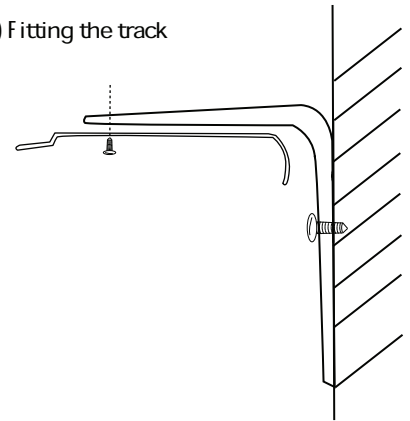


3. Face fix

b) Fitting the bracket



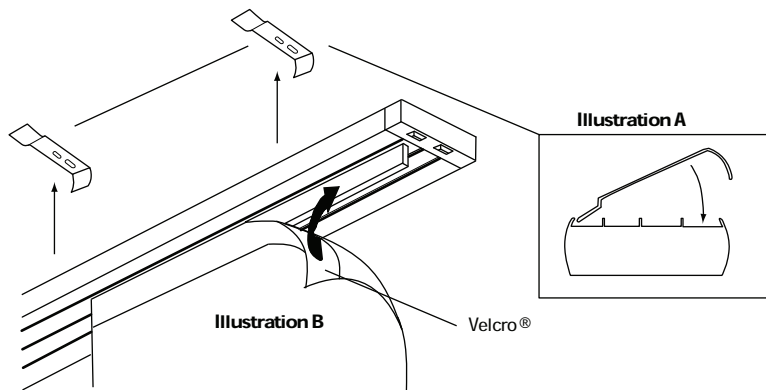
b) Fitting the track



Fix brackets to wall or frame as close as possible to the ceiling or lintel with same spacing as recommended or top fix brackets.

4. Attaching headrail

When the brackets are in place Align track to the front of the bracket then push the track upwards until the track clicks into place.



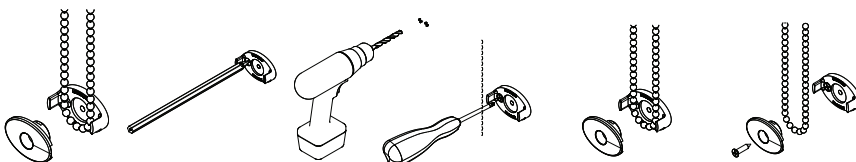
5. Attaching Velcro® Panel

Fabric will be supplied rolled on a tube for protection. A strip of Velcro® will be attached to the back of the fabric. This is to be attach to the velcro carriers on the headrail, see illustration B.

NB If fitting inside the recess always ensure tracks fits fully into recess to maximize stability.

6. Installing the tension device (Cord operated systems only)

This Tension Device reduces the hazards of strangulation and entanglement of young children by limiting access to the control cord. Fit the Tension Device at the maximum vertical distance possible from the control mechanism to prevent the chain from becoming slack.



! WARNING

Young children can be strangled by loops in pull cords, chains, tapes and inner cords that operate the product. To avoid strangulation and entanglement, keep cords out of the reach of young children. Cords may become wrapped around a child's neck. Move beds, cots and furniture away from window covering cords. Do not tie cords together. Make sure cords do not twist and create a loop.

